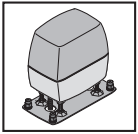
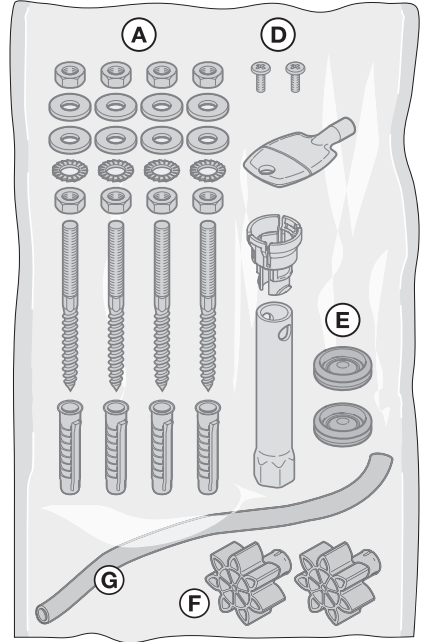
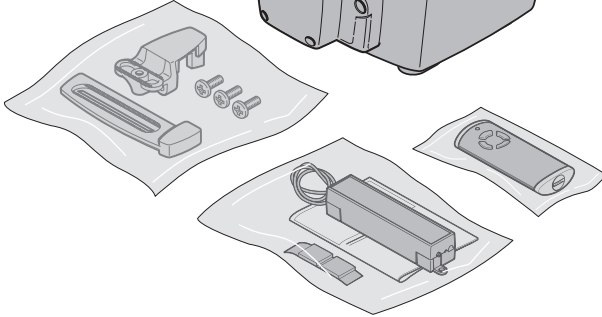
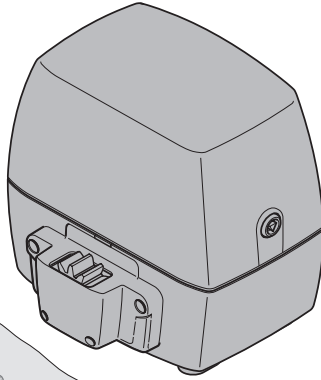
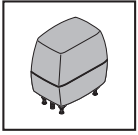


A

Lineamatic, Lineamatic P



Lineamatic H

